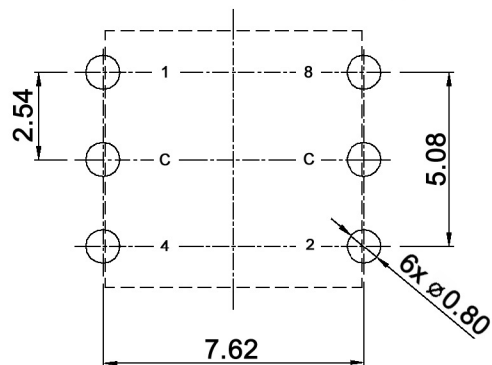


P.C.B. DIMENSION



Hexadecimal

	Real coded				
	C	1	2	4	8
0	●				
1	●	●			
2	●		●		
3	●	●	●		
4	●			●	
5	●	●		●	
6	●		●	●	
7	●	●	●	●	
8	●				●
9	●	●			●
A	●		●		●
B	●	●	●		●
C	●			●	●
D	●	●		●	●
E	●		●	●	●
F	●	●	●	●	●



Tolerances:			Date	Name
			10/08	dr
Packaging unit	09/12	dr		
Modifications	Date	Name		

DRS 16016

30 16 30

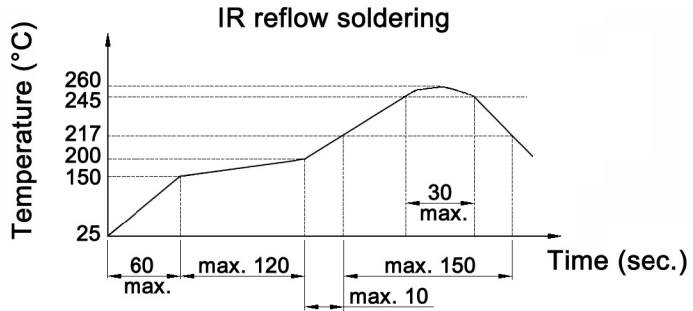
Page

1/2

knitter-switch

Specifications:

Contact rating: non-switching: 400mA, 42
switching: 100mA, 42V
Contact resistance: 80mOhm max.
Insulation resistance: 100MOhm min. at 250V DC for 1 minute +/-5sec.
Dielectric strength: 250V DC (50Hz/60Hz) for 1 minute
Operating temperature: -50°C to +125°C
Storage temperature: -55°C to +135°C
Mechanical life: 25 000 cycles
Operating force: 120 +/-30gf/cm
Soldering conditions: auto-soldering: max.: 260 +/-5°C, 5 +/-1sec.
IR reflow soldering: see profile
Packaging unit: 70 pcs / tube
Material: Cover / spring plate / guide plate: stainless steel
Contact / terminal: phosphor bronze, min. 0.07µm gold plated
over min. 0.3µm nickel
Rotor / base: PA66
O-ring: silicone
Actuator color: gray
Protection: IP67
Soldering conditions:



Tolerances:			Date	Name	DRS 16016	30 16 30	Page
			10/08	dr			
			knitter-switch				2/2
Modifications	Date	Name					